

#### 4. Gas Pedal Control

Figure 13 shows the first gas pedal design from Atari. A beryllium spring was used to activate the switch.

This design was improved first by using the washer (1) to activate the switch. Later we found that the rubber bumper (2) would allow the washer to overtravel and damage the microswitch.

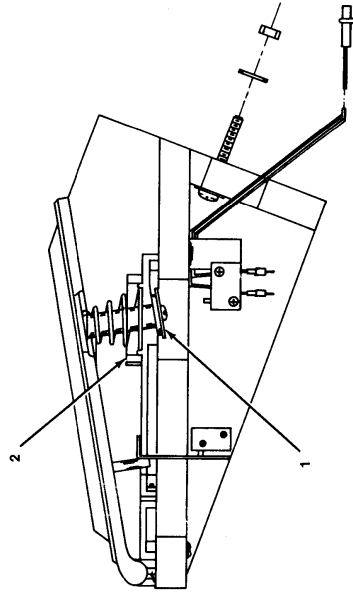


Figure 13 Original Gas Pedal Assembly

Figure 14 shows the next step in improving this assembly. The spring activator was added to protect the switch. The activator prevented the washer from damaging the plastic switch body, and it absorbed any excess pedal travel. This kept the switch from being damaged internally.

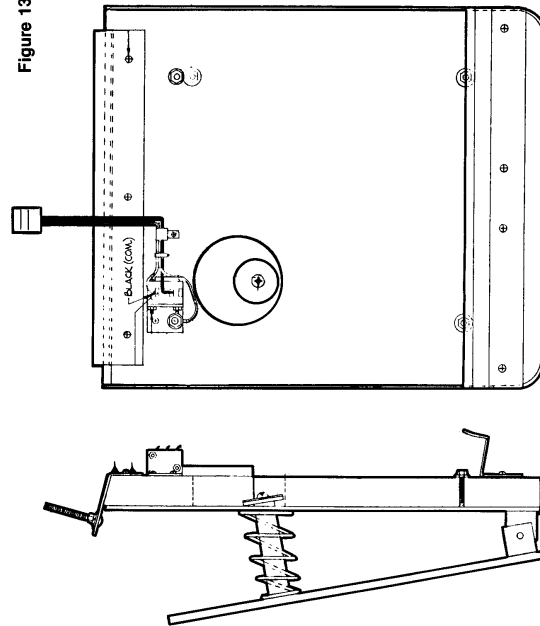


Figure 14 Improved Gas Pedal Assembly

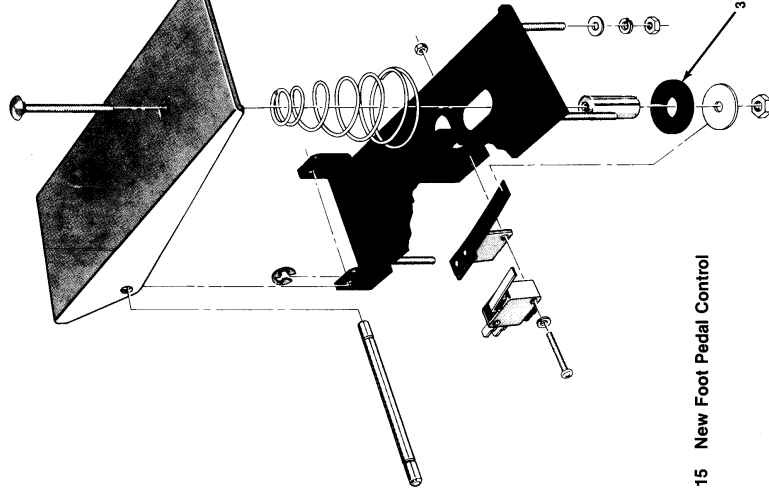


Figure 15 New Foot Pedal Control

Figure 15 shows the newest gas pedal assembly (introduced in early 1980). Notice that the microswitch activator has been changed to a spring, to prevent flexing sideways. This keeps the activator from slipping off the washer (3).

Also notice the hinge location: it has been moved from the player's heel to the toe area. This relieves stress on the hinge pin, resulting in longer assembly life.